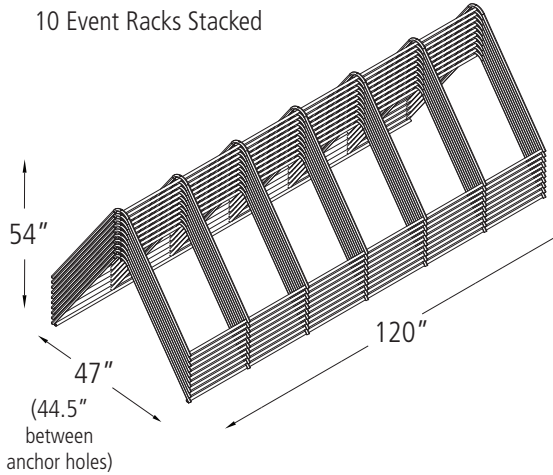




10 Event Racks Stacked



Product

Dero Event Rack
As manufactured by Dero Bike Racks

Capacity

14 Bikes

Materials



.75" steel tube

Finishes



An after fabrication hot dipped galvanized finish is standard.

Installation Methods



The Event Rack is a freestanding unit that can easily be placed by two people.

Space Use and Setbacks

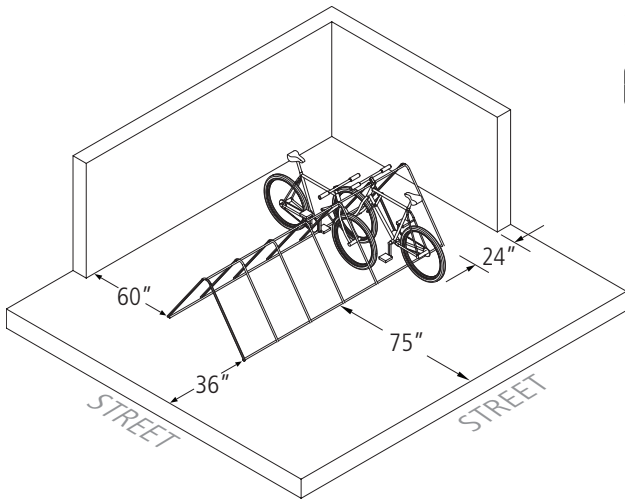


The Event Rack is 47"W x 120"L x 36"H. Each unit holds 14 bikes and can be stored on a standard 48"W pallet.

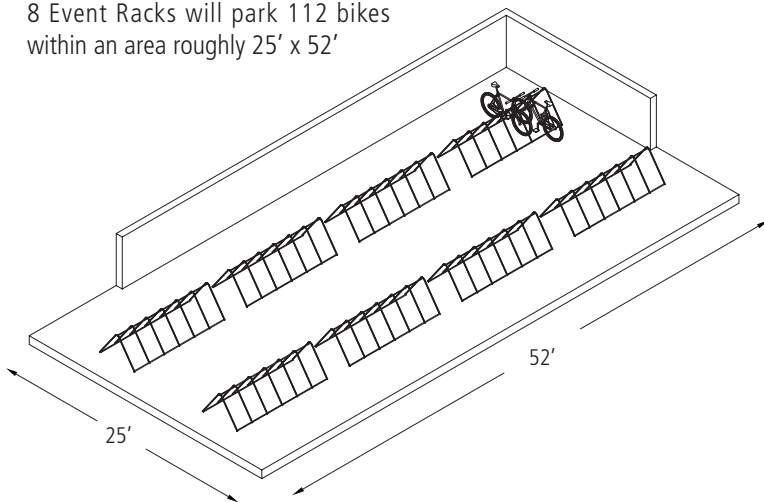
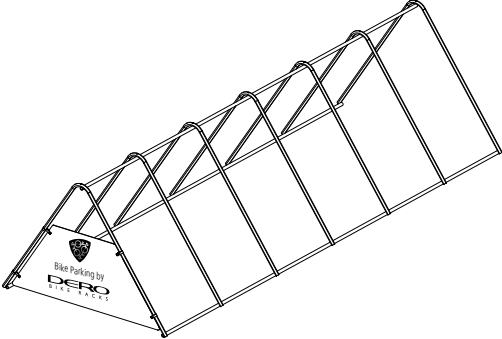
Wall Setback: A minimum of 60" should be left between the wall and the long side of the rack.

Street Setback: For racks set parallel to the street, a 75" setback is recommended. For racks installed perpendicular to the street, 24" is the minimum setback. 36" is recommended.

Between Racks: For racks set next to each other, 24" is the minimum setback. 36" is recommended.



8 Event Racks will park 112 bikes within an area roughly 25' x 52'

Personalize Your Parking

Promote your sponsors or message with the optional ad kit. Dero can produce full color signage with your own customized message and graphics. Use ad revenue to offset bike parking costs.

Contact us for more details on this option.

